

**OB2262/OB2263****Low Power PWM Control IC**

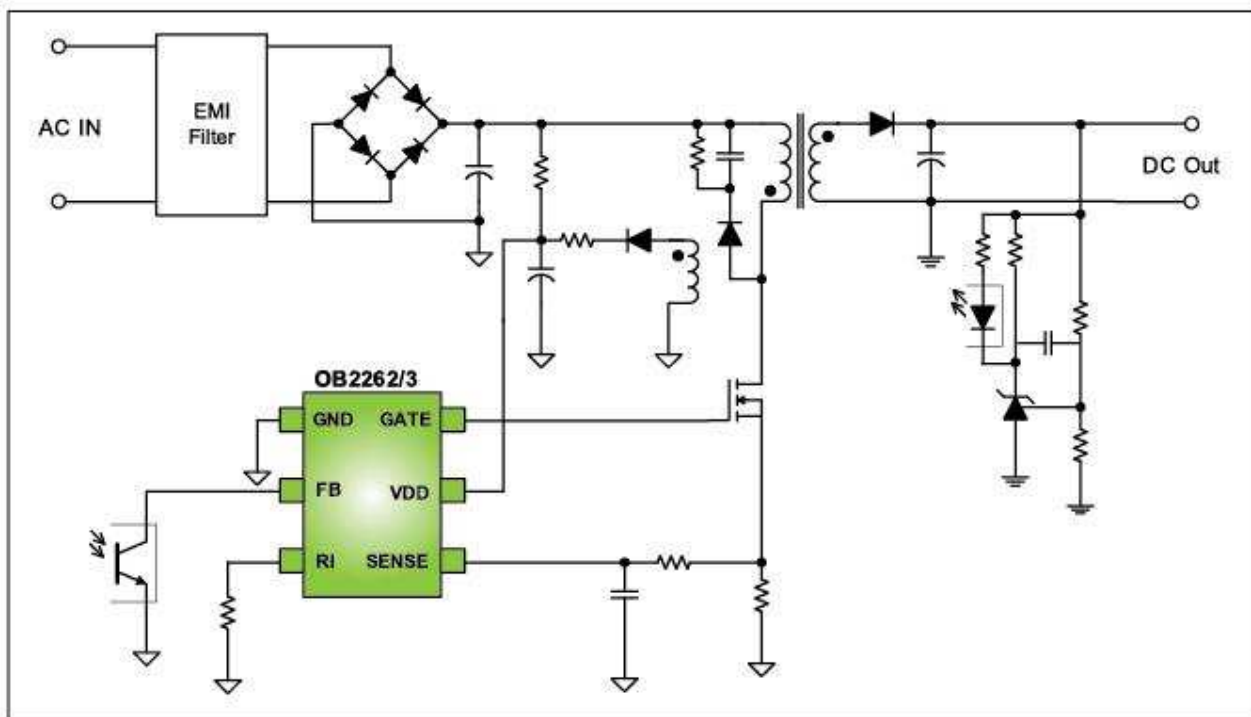
OB2262/OB2263 is a highly integrated PWM controller IC specially designed for low power AC/DC SMPS applications. Implemented with On-Bright patented proprietary technology, OB2262/OB2263 can provide a "No Y-CAP" AC/DC solution with distinguished advantages in low standby power, high efficiency, superior OCP compensation and a better EMI performance.

**Features:**

- ◆ High performance, high power density design for low power SMPS
- ◆ Low BOM count and Cost
- ◆ Cycle-by-Cycle current limiting(OCP)
- ◆ Over load protection (OLP)
- ◆ VDD over voltage protection (OVP)
- ◆ Accurate OCP compensation over universal AC
- ◆ Frequency shuffling function to improve system EMI performance (OB2263) supporting no Y-Cap design
- ◆ Available in DIP8 and SOT23-6 packages,RoHS compliant

**Applications:**

- ◆ STB Power Supply
- ◆ LCD TV/PC Standby Power
- ◆ Low Power AC/DC SMPS(up to 30W)

**Typical Application:**

[关闭窗口]